

SES (Subway Environmental Simulation) Input/Output Document

Processing

Many engineering software applications, developed in the last century and used widely around the world, such as SES (Subway Environmental Simulation), only accept two input methods: (1) in the GUI interface to fill in data (2) fixed format text file input.

However, engineering and technical personnel prefer to use Excel as a data input pre-processing step, and wish that Excel generated data can be directly used as the SES input. At present, the practice of engineering staff is to copy the data in the Excel table, and gradually enter the data through a GUI interface; this process is not only complicated and lengthy, and the input process is prone to error. It usually takes only one week to prepare an Excel file, but it takes a month to form the SES input file. So the customer needs an automatic processing software from the Excel file to the SES input file. SFEM has developed a SES Processing software for this purpose, which enable the customer to reduce processing time from 1 month to 1 week, greatly improving the customer's work efficiency. It also helps the customers to automatically generate data post-processing.

SES Processing has three functions:

- (1) Accept the Excel file input, converted into SES accepted input file;
- (2) Input error correction prompt function;
- (3) Automatic drawing, output curve, cloud map;
- (4) Output file: Excel, customer requirements text format;
- (5) Automatically generate ACAD map.

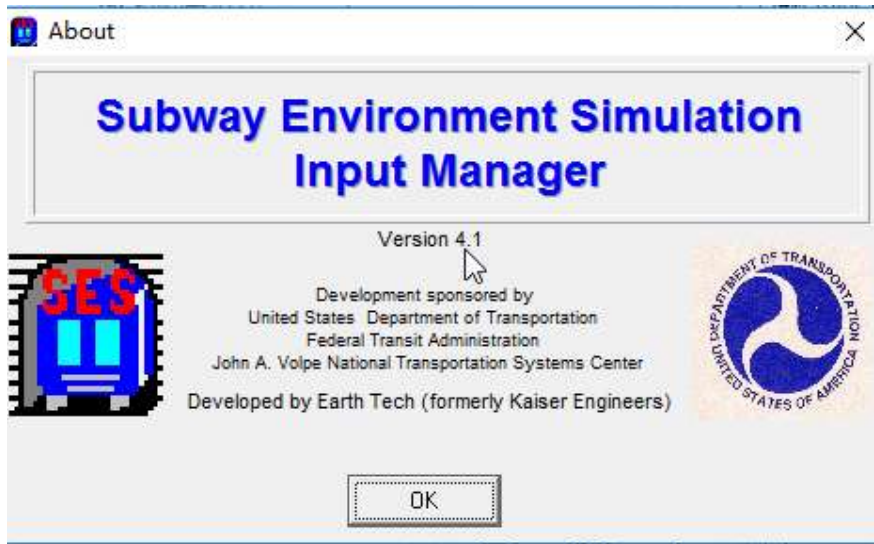


Figure 1 SES Software

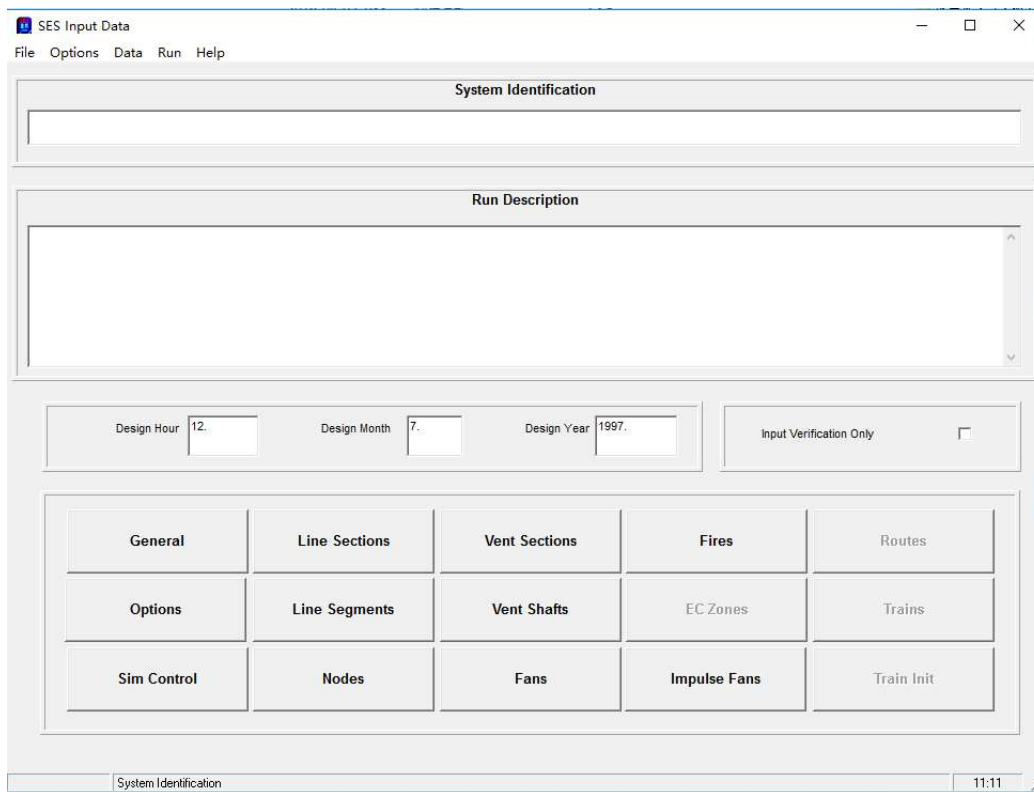


Figure 2. SES Input/Output Interface

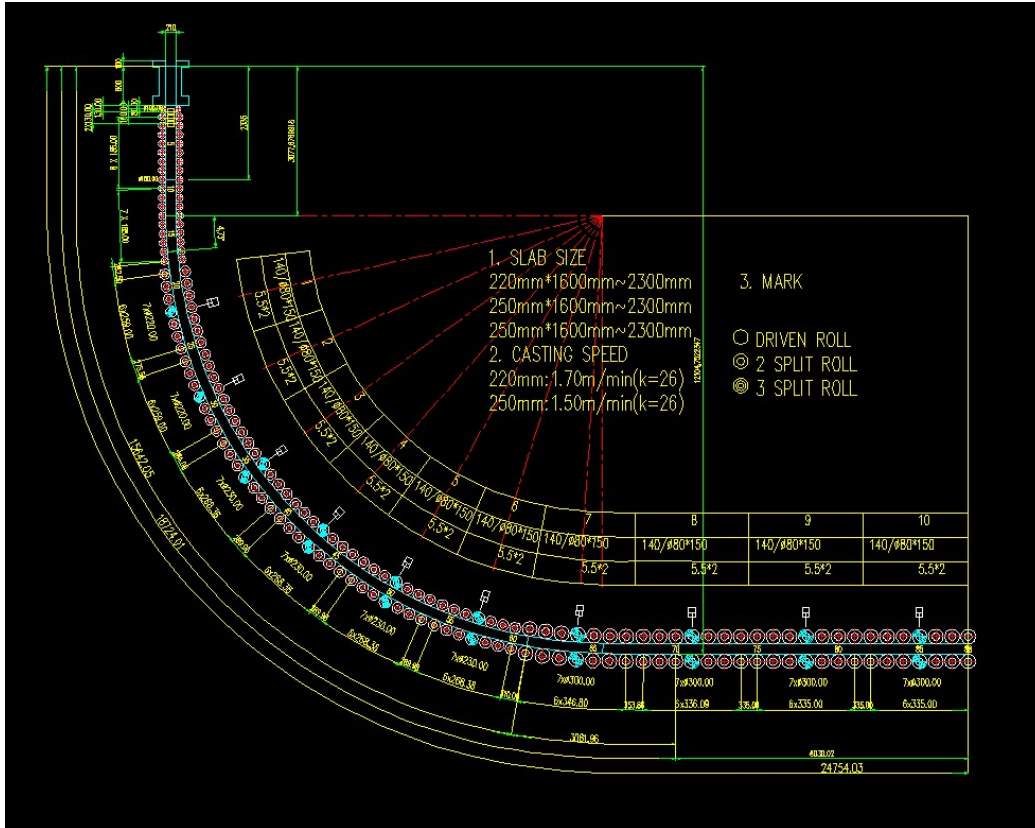


Figure 3 Automatically produced ACAD Drawing。

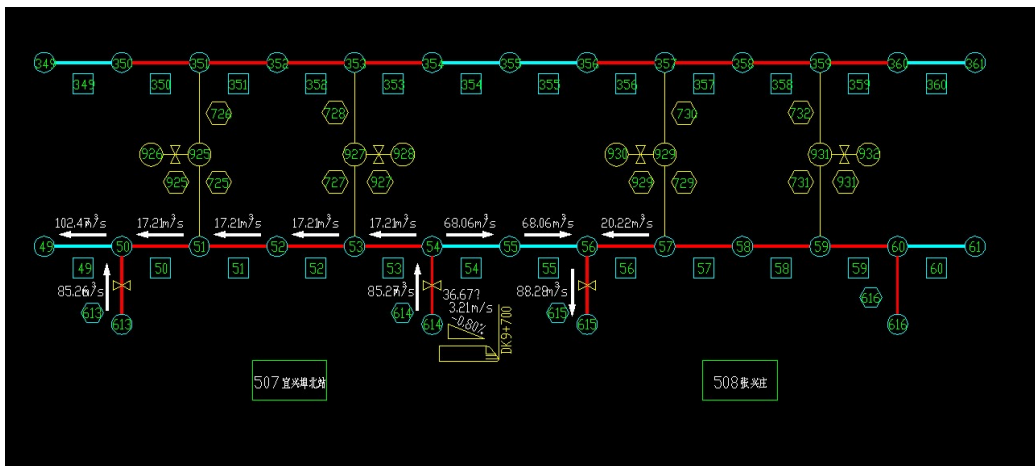


Figure 4 Auto-produced parameterized ADAD map